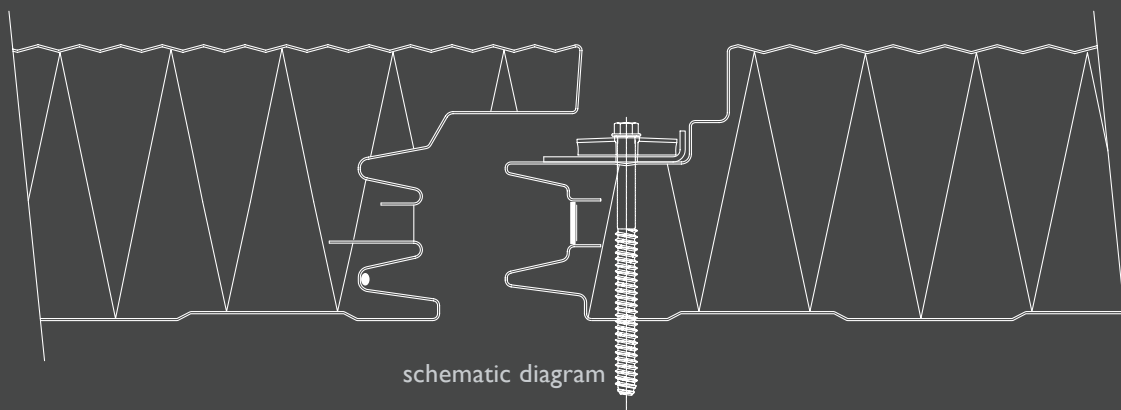
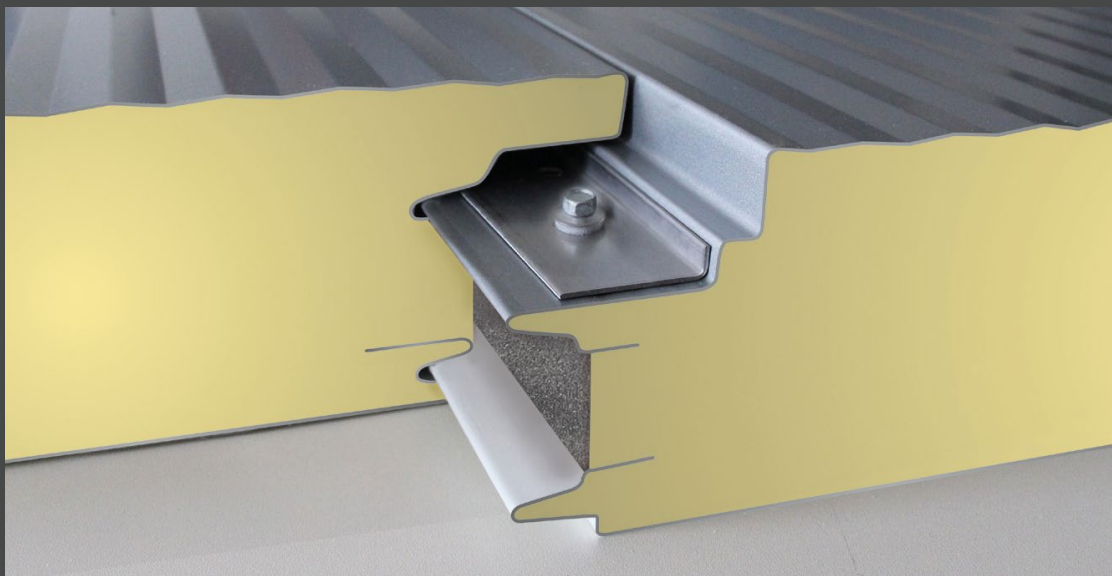


BRUCHAPanel®

PU/PIR façade panel premium – **FP-P**



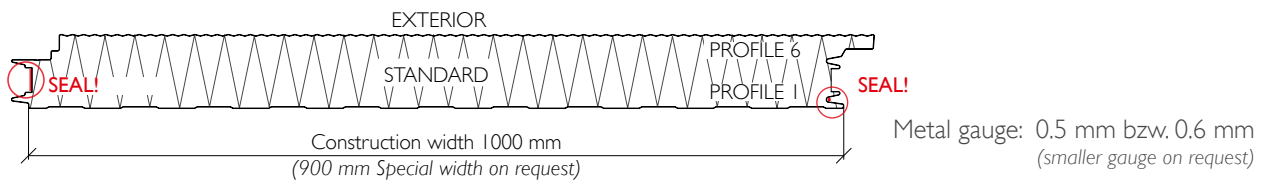
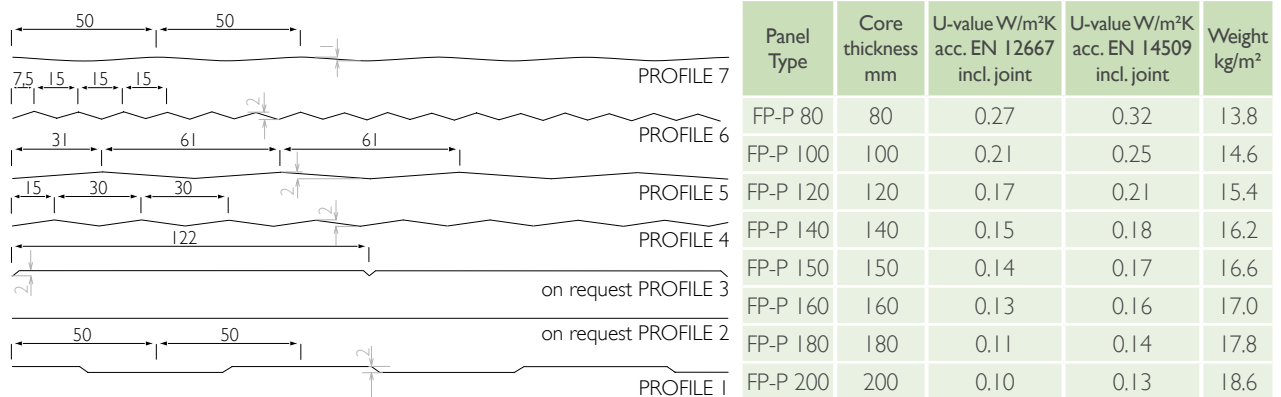
The panel for highest
visual und **static** requirements.



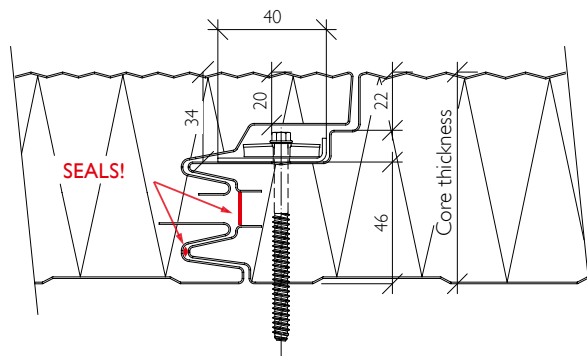
united in panels

PU/PIR façade panel premium – **FP-P**

www.brucha.com

FP-P PROFILES**FP-P** JOINT CONNECTION

Hidden screws without clip



Gap-joint connection: 2 mm ± 2 mm tolerance

DESIGN AND SURFACES

coil-coated, galvanised flashings

Visible side with 25 µm polyester coating with a protective PVC film to be removed when construction work is complete (protect from direct sunlight).

Exterior: PROFILE 6 = Standard
Interior: PROFILE 1 = Standard (PROFILE 2 and 3 on request)

INSULATION CORE: PIR rigid foam manufactured in continuously foamed process, approx. 95 % closed cells, shear resistant bond with steel sheet, density approx. 40 kg/m³, absolutely no chlorofluorocarbons and halogenated chlorofluorocarbons, pentane foaming system, fire behaviour in acc. with EN 13501-1, Euroclass Bs2d0, flame resistant.

COLOURS: acc. to BASIC range of colours.

PANEL CONNECTION: „Double-Tounge-Groove-System“.

The outside screw head will be covered completely because of the special labyrinth profile by the following panel.

Covered, hidden fastening.

The integrated seal guarantees max. possible wind tightness. The panels interlink precisely, with no thermal bridge.

The facade panel PREMIUM **FP-P** offers **excellent static features** and enables **higher wing-spread** because of the application of the pressure distribution plate.

Manufacturing tolerances:	in acc. EN 14509
Manufactured lengths:	max. 16.0 m, above 13.6 m extra long transport
Span table:	DI Dr. Pilgram – Vienna
Sound insulation:	25 dB for all thicknesses
Temperature stability:	90° C